

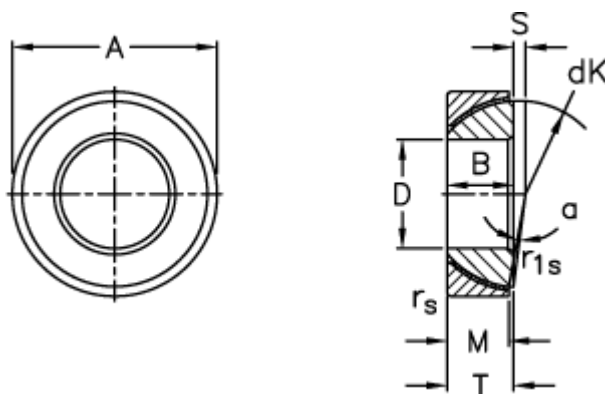
Data Sheet



Article number: 03510130

Description: Fluro Rod end GE 130SW

Measures



A = 200 0 -0,030

B = 45

D = 130 0 -0,025

dK = 188

Dynamic load C (kN) = 1245

M = 43

rs, r1s min = 2.5

S = 18

Static load C0 (kN) = 2490

T = 45 +0,35 -0,70

Tilt angle = 1

Weight = 5920